

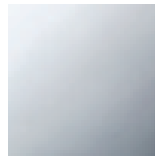


Bathtub - CL.1

Showerhead - polished chrome

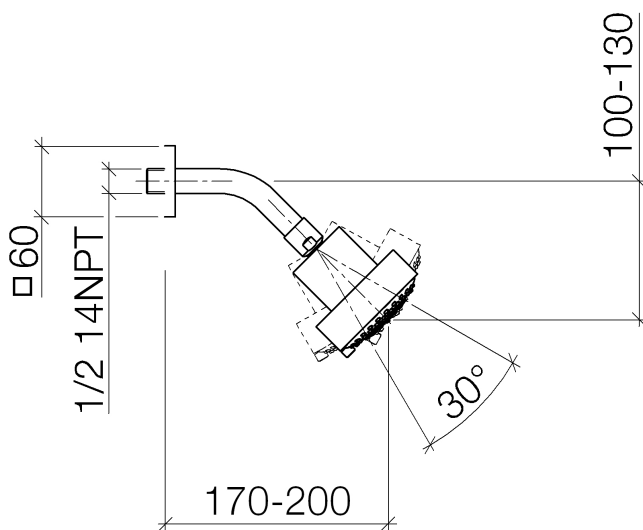
Article number: 28 508 980-00 0010

- 7-7/8" Projection
- Ball-joint pivotable through 30°
- 3 individual sprays (standard, soft, massage)
- Descaling system
- Ø 3-5/8"
- Flange 2-3/8" x 2-3/8"
- 1/2" connection
- Water flow rate limited to max. 1.8 gpm



polished chrome

Dimensional drawing

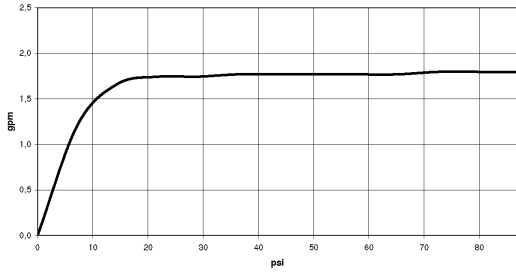


All dimensions in mm / inch = mm x 0,0394



Bathtub - CL.1
Showerhead - polished chrome
Article number: 28 508 980-00 0010

Flow rate chart





Bathtub - CL.1
Showerhead - polished chrome
Article number: 28 508 980-00 0010

Other surface finishes



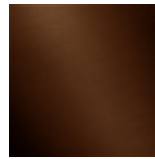
platinum matte
28 508 980-06 0010



platinum
28 508 980-08 0010



Dark Brass matte
28 508 980-16 0010



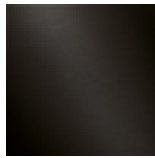
Dark Bronze matte
28 508 980-17 0010



Champagne
28 508 980-47 0010



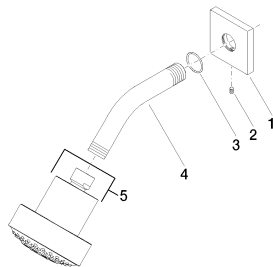
Cyprum
28 508 980-49 0010



Dark Platinum matte
28 508 980-99 0010

More custom finish options are available via special production (xTra Service). Please see our finish matrix for availability and pricing or contact a Dornbracht representative.

Spare parts list



Number	Item Number	Designation	Number of units
--------	-------------	-------------	-----------------